

# OP118-WX

18.5-inch Industrial HMI Monitor for Arm Mounting

Part of the OP Series family — also available: OP115-XG, OP116-HD, OP116-WX, OP118-HD, OP121-HD

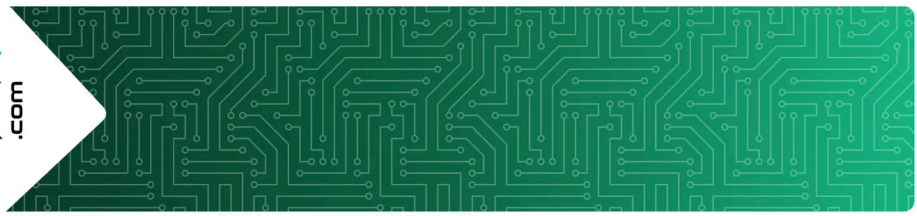


## Product Overview

The OP118-WX is an 18.5-inch industrial HMI monitor built for arm-mounted operator workstations in factory automation, machine control, and production line environments. The 1366x768 WXGA capacitive touch panel delivers reliable, gloved-hand-compatible input across a full IP65-rated enclosure - sealed front and rear against dust and water ingress.

Display signal is accepted via HDMI or VGA, with touch communicated back to the host over USB. Two internal USB 2.0 Type A ports and one rear-accessible 2-in-1 USB 2.0 port handle peripheral connections without exposing cable runs. DC 12-24V power input includes reverse connection, overvoltage and overcurrent protection.

The swing arm bracket supports NODKA 4460 square tube and Rittal CP 40 mounting systems. The button panel ships with a default set of five operator controls - emergency stop, selection, red push, green push, and key switch - and is fully configurable for customer-specific layouts with up to seven 22mm buttons. Configured and tested in the UK, with direct engineering support.



## Product Highlights

- 18.5-inch LCD, 1366x768 (WXGA) resolution
- Capacitive touch screen, USB interface
- Full IP65 - front and rear sealed
- HDMI + VGA display signal input
- 2 x internal USB 2.0 Type A + 1 x rear 2-in-1 USB 2.0
- DC 12-24V input with reverse, overvoltage and overcurrent protection
- Swing ARM mounting - NODKA 4460 square tube and Rittal CP 40 compatible
- Default button set: emergency stop, selection, red, green, key switch
- Customer-configurable button panel - up to 7 x 22mm buttons
- Frontally accessible button panel for field reconfiguration
- 250 cd/m2 brightness, 1000:1 contrast ratio
- Wide viewing angle: 89 degrees all directions
- Operating temperature: 0 degrees C to 50 degrees C
- Vibration: 1.5 Grms, IEC 60068-2-64 (SSD applied)
- Shock: 10G peak, IEC 60068-2-27
- EMC Class B
- 480 x 347 x 135 mm, 6.7 kg

## Applications

Factory Automation

Production Line Control

Machine Control HMI

Operator Workstation

SCADA Interface

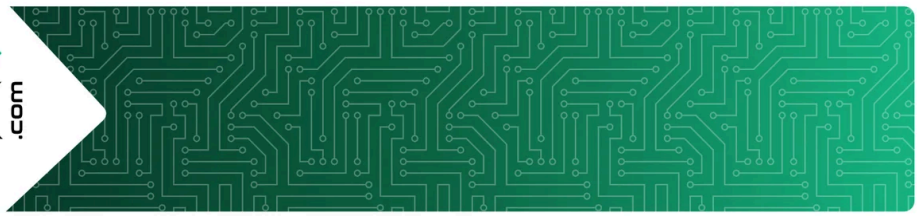
Process Monitoring

Cleanroom Control

Food and Beverage Processing

Pharmaceutical Manufacturing

Warehouse Automation



## Technical Specifications

### Display

**Screen Size** 18.5 inches

**Contrast Ratio** 1000:1

**Resolution** 1366 x 768 (WXGA)

**Viewing Angle** 89 degrees Left / Right / Top / Bottom

**Brightness** 250 cd/m2

**Backlight MTBF** 30,000 hours

### Touch Screen

**Touch Type** Capacitive

**Light Transmittance** 87% or above

**Communication** USB (1 x USB 2.0 Type B input)

### I/O

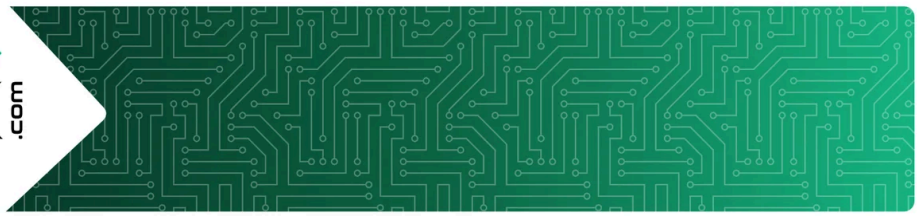
**Display Input** 1 x HDMI, 1 x VGA

**USB**

- 1 x USB 2.0 Type B (touch input from host)
- 2 x USB 2.0 Type A (internal)
- 1 x USB 2.0 2-in-1 (rear of housing)

### OS Support

**Compatible OS** Windows 7, Windows 10/11 IoT, Ubuntu, CentOS



## Technical Specifications (cont.)

### Power

<b>Input Voltage</b>	DC 12-24V +/-10% <ul style="list-style-type: none"> <li>Reverse connection protection</li> <li>Overvoltage protection</li> <li>Overcurrent protection</li> <li>1 x 2-pin Phoenix connector (internal)</li> <li>1 x illuminated power button (rear)</li> </ul>
----------------------	---

<b>Power Consumption</b>	15W minimum
--------------------------	-------------

### Mechanical

<b>Dimensions (W x H x D)</b>	480 x 347 x 135 mm
-------------------------------	--------------------

<b>Mounting</b>	Swing ARM - supports NODKA 4460 square tube and Rittal CP 40
-----------------	--

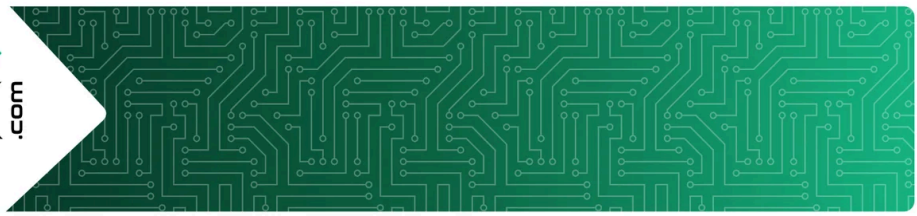
<b>Weight</b>	6.7 kg
---------------	--------

<b>IP Rating</b>	Full IP65 (front and rear)
------------------	----------------------------

### Operator Controls

<b>Default Button Set</b>	<ul style="list-style-type: none"> <li>1 x Emergency stop button</li> <li>1 x Selection button</li> <li>1 x Red push button</li> <li>1 x Green push button</li> <li>1 x Key switch</li> </ul>
---------------------------	---

<b>Custom Configuration</b>	<p>Button panel is fully configurable to customer specification:</p> <ul style="list-style-type: none"> <li>Up to 7 x 22mm buttons supported</li> <li>Frontally accessible for field changes and additions</li> <li>Hard-wired connection mode</li> </ul>
-----------------------------	---



## Technical Specifications (cont.)

Environment			
<b>Operating Temperature</b>	0 degrees C to 50 degrees C	<b>Vibration</b>	1.5 Grms, IEC 60068-2-64, random, 5-500 Hz, 1 hr/axis (SSD applied)
<b>Storage Temperature</b>	-20 degrees C to 60 degrees C	<b>Shock</b>	10G peak acceleration (11 ms duration), IEC 60068-2-27
<b>Humidity</b>	5-95% (non-condensing)	<b>EMC</b>	Class B

## Certifications

<b>Certifications</b>	<ul style="list-style-type: none"> <li>• CE</li> <li>• EMC Class B</li> <li>• RoHS Compliant</li> <li>• WEEE Compliance Scheme member</li> </ul>
-----------------------	--

## Warranty

<b>Warranty</b>	2 years RTB, extendable to 3 or 5 years
-----------------	---

## Model Numbers

OP 1 XX - YY

Code	Meaning
OP	Operator Panel (HMI monitor series)
1	First generation
XX	Screen size in inches (15, 16, 18, 21)
YY	Resolution class (XG = XGA 1024x768, WX = WXGA 1366x768, HD = Full HD 1920x1080)

**Example:** OP118-WX = Gen 1, 18.5-inch, WXGA resolution

## Ordering Information

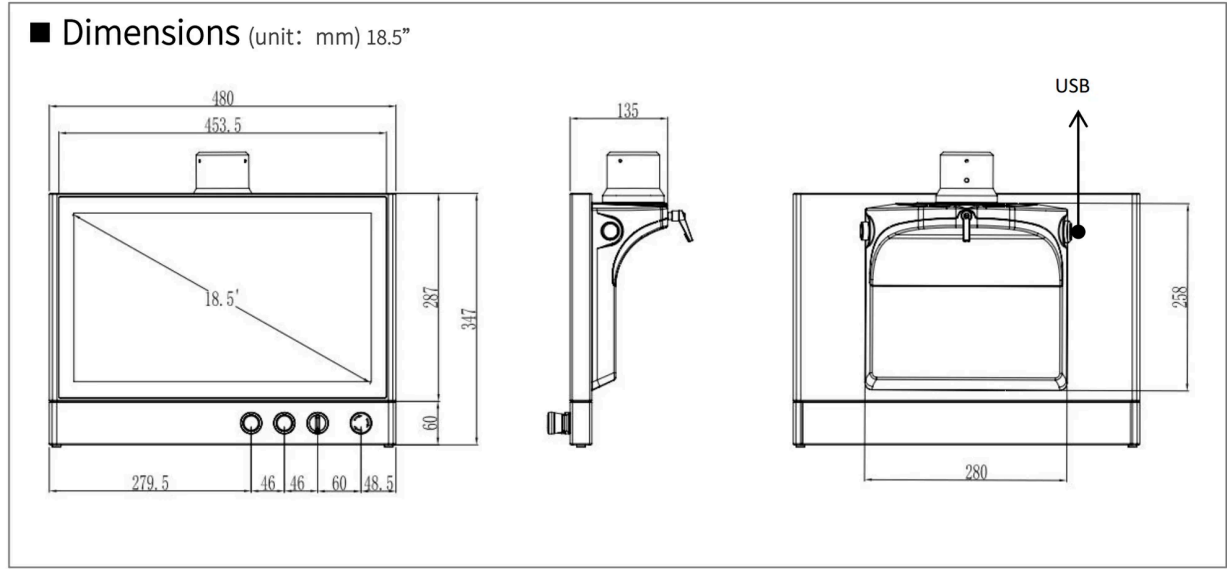
Part Number	Description
OP118-WX	18.5-inch WXGA capacitive touch HMI monitor, HDMI + VGA input, full IP65, swing ARM mount, DC 12-24V

Specifications are subject to change without notice. E&OE.

All trademarks and product names mentioned are the property of their respective owners.

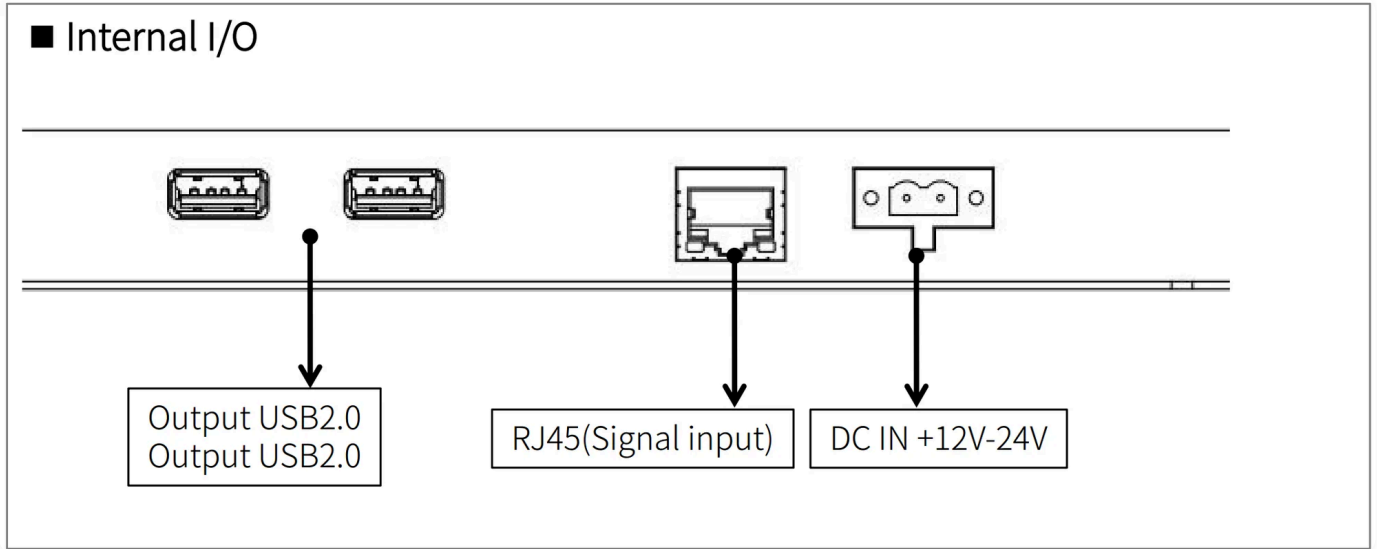
Copyright 2026 Bowmonk Ltd. Techeonix is a trading name of Bowmonk Ltd, Diamond Road, Norwich, NR6 6AW, United Kingdom.

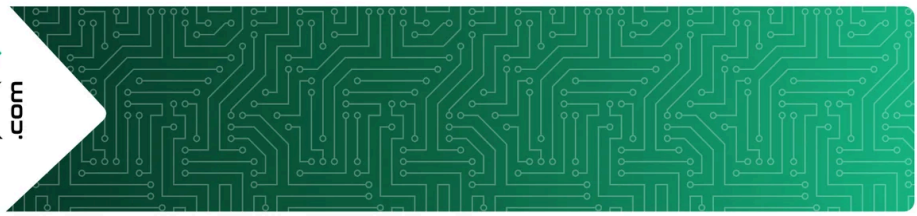
**Dimensions (mm)**



## Port Layouts

### Internal I/O





## Product Gallery

